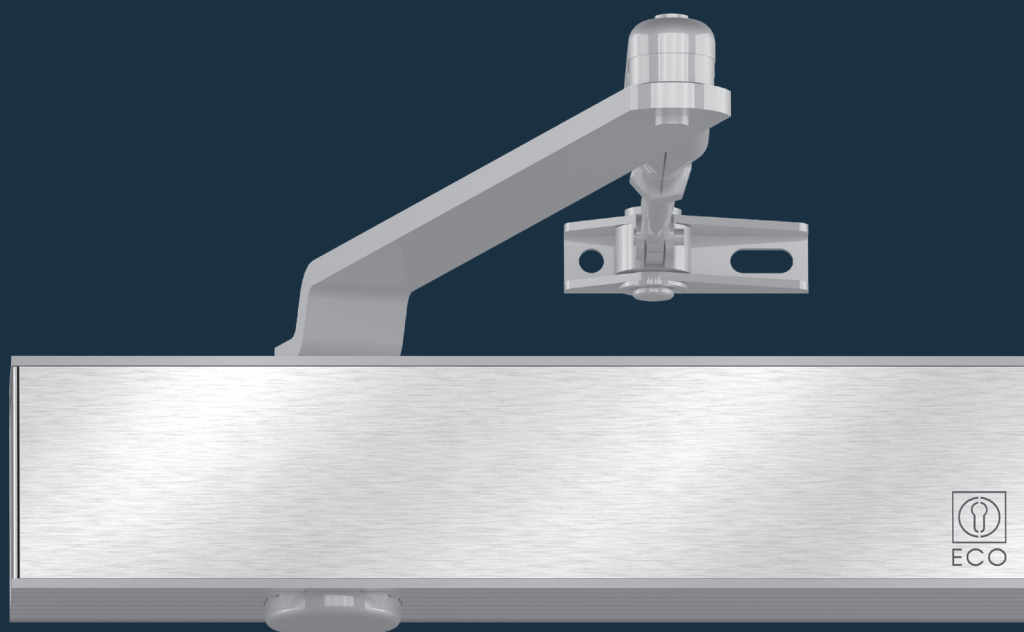


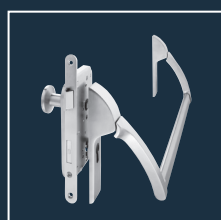
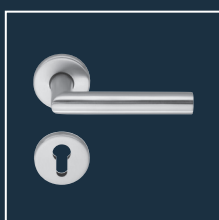
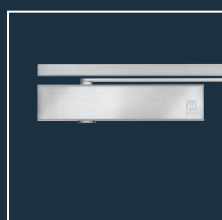
ECO **Newton** TS-50



Product information



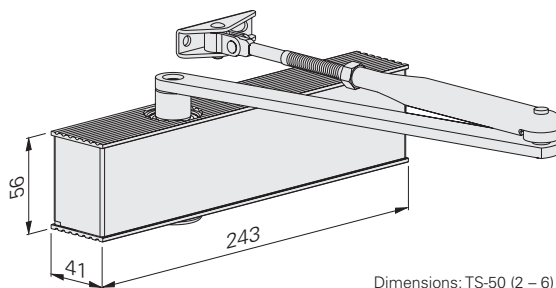
■ SYSTEM TECHNOLOGY FOR THE DOOR



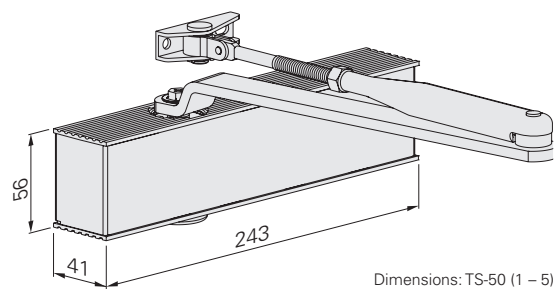
Product characteristics

Closing force (continuously adjustable)	Size acc. to EN	1 – 5	2 – 6
Door width	acc. to EN ≤ 1.250 mm	■	
Door width (acc. separate mounting position)	acc. to EN ≤ 1.400 mm		■
Dimensions (incl. mounting plate)	Length in mm	243	243
	Depth in mm	41	41
	Height in mm	56	56
Mounting plate acc. to EN 1154 (supplementary sheet 1)		□	□
Hinge side and hinge-opposite side		■	■
DIN left / right		■	■
Latching speed (continuously adjustable)		■	■
Closing speed (continuously adjustable)		■	■
Back-check (constant)		■	■
Dealyed action not fire certified (continuously adjustable)		-	-
Tested acc. to EN		EN 1154	
Suitable for fire- and smoke control doors		F	
Certified according to EU-Directive		CE	

- Yes
- No
- Option



Dimensions: TS-50 (2 – 6)



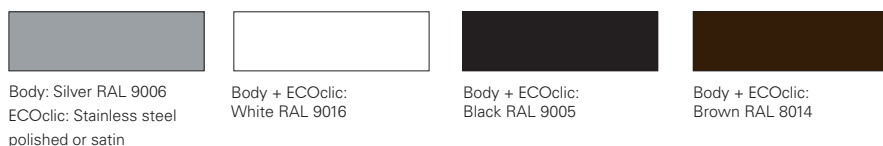
Dimensions: TS-50 (1 – 5)



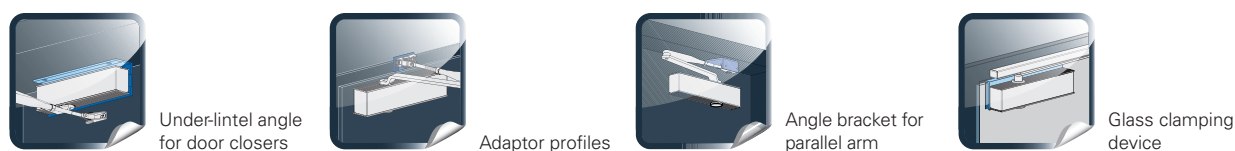
ECO Newton TS-50 - Highlights at a glance



Details regarding the ECO Newton Highlights can be found in the intro of this chapter.



The standard arm is always delivered in the same colour as the ordered door closer body.



Order information

ECO **Newton** TS-50 ▪ Door closer with standard arm

Product information

Closing force 1 – 5 (2 – 6), tested acc. to **EN 1154** (for door widths up to 1.250 mm (1.400 mm)) continuously adjustable. Latching speed and closing speed continuously adjustable. Back-check constant. Same version for DIN left and DIN right. Mounting height only 41 mm. Weight: 1.280g. Max. opening angle: 180°

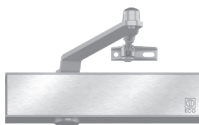
- **ECOunity:** The ECO **Newton** closer portfolio covers all door dimensions with only two basic closer units.
- **ECOcllic:** The stainless steel cover encloses the aluminium body with the power of spring steel and conceals all of the adjusting elements, thus securing the closer against unauthorized access
- **ECOmout:** Optional mounting plate according to **EN 1154**, supplementary sheet 1
- **ECOvalve:** Simple, high-precision and permanently secure adjustment of all parameters of the closing process with one conventional Allen key.
- **ECOcover²:** Optional stainless steel cover for the ECO **Newton** door closers
- **ECOgreen:** The intelligent construction and carefully planned use of materials help considerably to save resources

Hinge side: Standard mounting on door leaf. Hinge-opposite side: Head mounting on door frame.

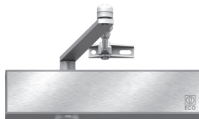
New packaging:

TS-50 Standard: (Standard mounting set) incl. door closer body, standard arm, paper template and fixing material.
 TS-50 DIN: (Mounting acc. DIN holes) Set with door closer body, standard arm, incl. mounting plate, mounting instructions, paper template and fixing material.

Article numbers



Door closer with standard arm, without mounting plate	Colour	Article number	Door closer with standard arm, incl. mounting plate	Colour	Article number
TS-50 Standard (1 – 5)	Silver RAL 9006*	305052F11A71000	TS-50 DIN (1 – 5)	Silver RAL 9006*	305052F11A71090
TS-50 Standard (1 – 5)	White RAL 9016	305052F11E71000	TS-50 DIN (1 – 5)	White RAL 9016	305052F11E71090
TS-50 Standard (1 – 5)	Brown RAL 8014	305052F11D71000	TS-50 DIN (1 – 5)	Brown RAL 8014	305052F11D71090
TS-50 Standard (1 – 5)	Black RAL 9005	305052F11G71000	TS-50 DIN (1 – 5)	Black RAL 9005	305052F11G71090

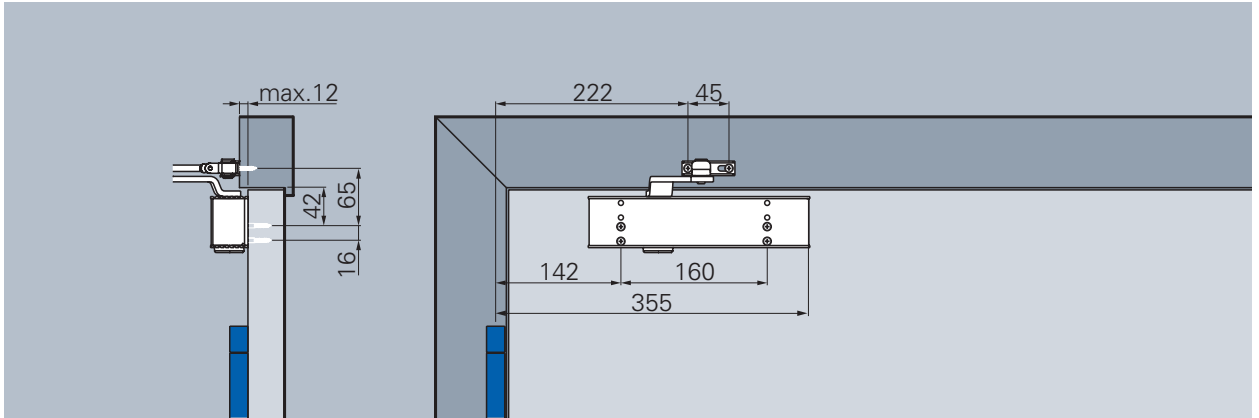


Door closer with standard arm, without mounting plate	Colour	Article number	Door closer with standard arm, incl. mounting plate	Colour	Article number
TS-50 Standard (2 – 6)	Silver RAL 9006*	305062F11A71000	TS-50 DIN (2 – 6)	Silver RAL 9006*	305062F11A71090
TS-50 Standard (2 – 6)	White RAL 9016	305062F11E71000	TS-50 DIN (2 – 6)	White RAL 9016	305062F11E71090
TS-50 Standard (2 – 6)	Brown RAL 8014	305062F11D71000	TS-50 DIN (2 – 6)	Brown RAL 8014	305062F11D71090
TS-50 Standard (2 – 6)	Black RAL 9005	305062F11G71000	TS-50 DIN (2 – 6)	Black RAL 9005	305062F11G71090

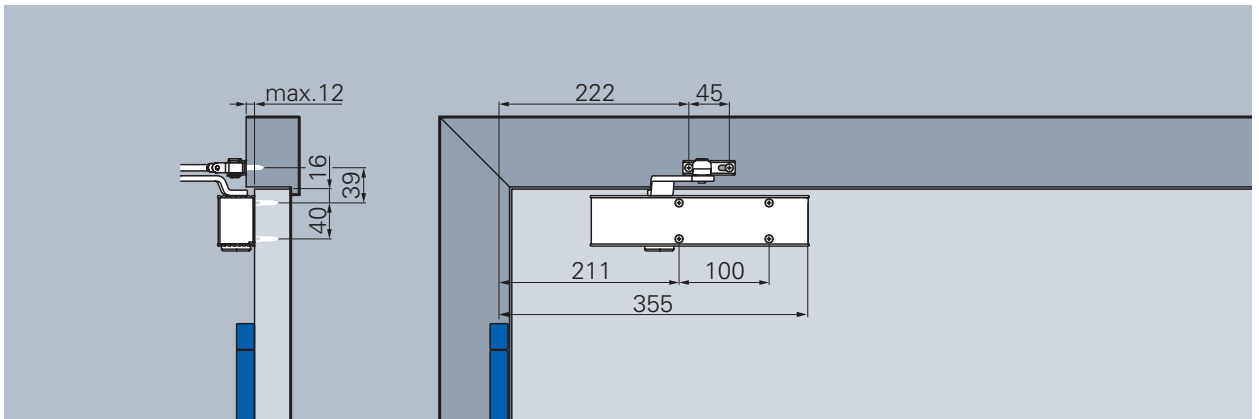
*Door closer body in silver RAL 9006, ECOcllic in stainless steel satin, polished on request

Hinge side

Illustration DIN left door, DIN right laterally reversed



Standard mounting, hinge side (with mounting plate, with DIN holes)



Standard mounting, hinge side (direct mounting, without mounting plate)

Closing speed

Continuously adjustable closing speed from approx. 180° to 0°

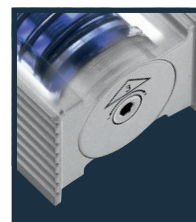
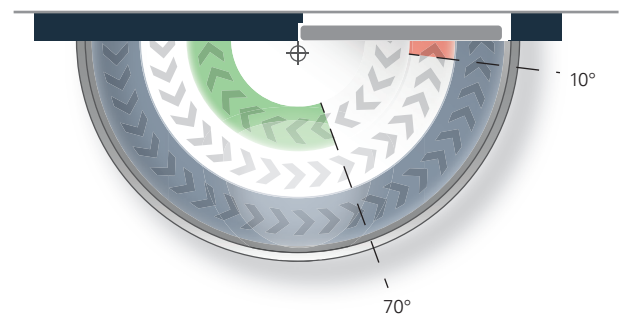
Latching speed

Increases the closing speed and thus the safe closing of the door, for example to overcome door seals, door locks and high air pressure. Continuously adjustable, works between 10 to 0°

Back-check (constant)

Reduces the opening speed starting at 70° and avoids the slamming of the door. Back-check fixed

Closing force diagram **Newton TS-50**, hinge side



Closing force:

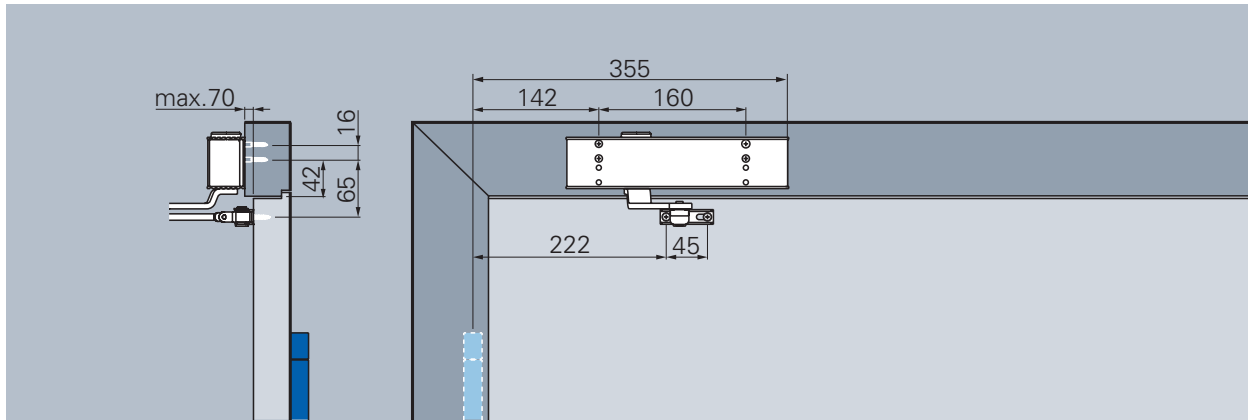
Continuously adjustable min. size 2
TS-50 (2 – 6) max. size 6
resp.

Continuously adjustable min. size 1
TS-50 (1 – 5) max. size 5

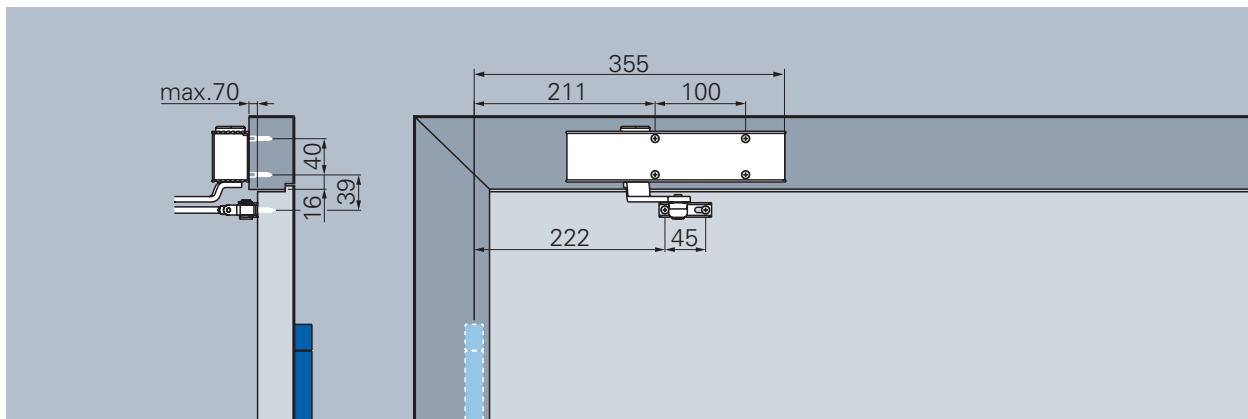
Default delivery condition: size 3

Hinge-opposite side

Illustration DIN right door, DIN left laterally reversed



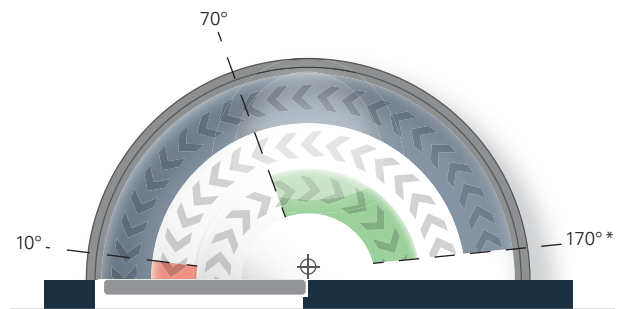
Head mounting, hinge-opposite side (with mounting plate, with DIN holes)



Head mounting, hinge-opposite side (direct mounting, without mounting plate)

- Closing speed**
 Continuously adjustable closing speed from approx. 170°* to 0°
- Latching speed**
 Increases the closing speed and thus the safe closing of the door, for example to overcome door seals, door locks and high air pressure. Continuously adjustable, works between 10 to 0°
- Back-check (constant)**
 Reduces the opening speed starting at 70° and avoids the slamming of the door. Back-check fixed

Closing force diagram ECO Newton TS-50, hinge-opposite side



*Varies according to door thickness and type of hinge

A door stopper for opening limit is a must!

ECO Schulte GmbH & Co. KG
Iserlohner Landstraße 89
D - 58706 Menden

Telefon: +49 2373/9276-0
Fax: +49 2373/9276-40

info@eco-schulte.de
www.eco-schulte.de

© ECO Schulte GmbH & Co. KG - Änderungen vorbehalten
© ECO Schulte GmbH & Co. KG - Subject to change